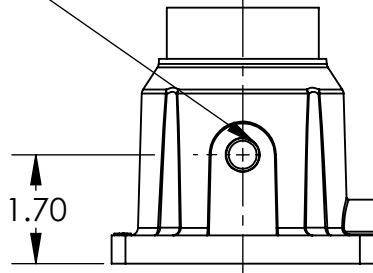
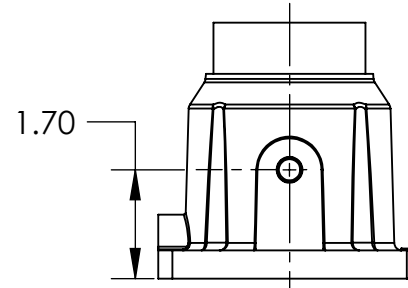
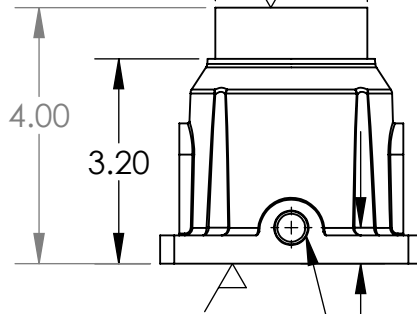


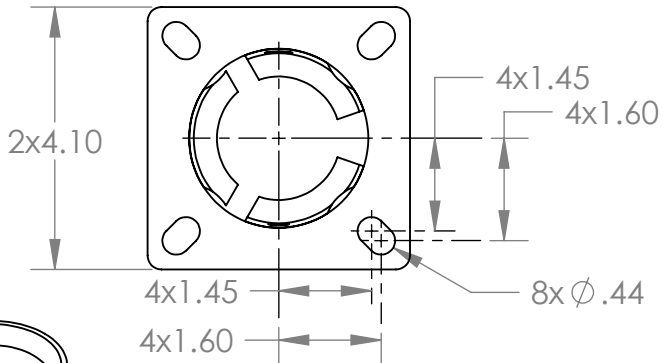
PORT OPTIONS
ONE SIDE
or BOTH



OPTION
UNFINISHED
FINISHED
or
2 NPSM



.56
CONTROL
PORT

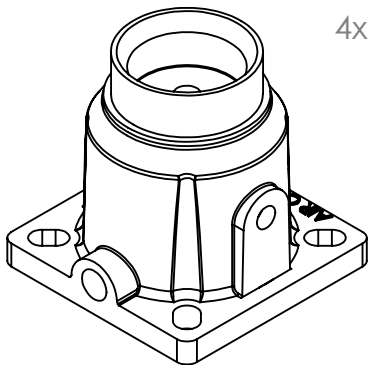


MATERIAL

- 1) BODY - DUCTILE IRON
- 2) PISTON - ALUMINUM
- 3) POPPET - ALUMINUM
- 4) POPPET SPRING - STAINLESS STEEL
- 5) MAIN SPRING - STEEL

BODY PORT OPTIONS

- 1) CONTROL PORT - 1/4 NPTF, BSPT
- 2) BODY SIDE PORTS - 1/8, 1/4 NPT, BSPT



UNLESS OTHERWISE SPECIFIED:

DIMENSIONS ARE IN INCHES
TOLERANCES:
CASTINGS: $\pm 1/16$
ANGULAR: MACH ± 1.0 DEGS
TWO PLACE DECIMAL: ± 0.010
THREE PLACE DECIMAL: ± 0.005
BREAK EDGE: 0.005-0.010

DWG PER ANSI STANDARD
INTERPRET GEOMETRIC
TOLERANCING PER: ANSI Y14.5M

MATERIAL
DI
FINISH
125
DO NOT SCALE DRAWING

	NAME	DATE
DRAWN	WRC	30 MAR 2011
APPROVED	WRC	30 MAR 2011

PROPRIETARY AND CONFIDENTIAL
THE INFORMATION CONTAINED IN THIS DRAWING IS THE SOLE PROPERTY OF AIR-CON INC. ANY REPRODUCTION IN PART OR AS A WHOLE WITHOUT THE WRITTEN PERMISSION OF AIR-CON INC. IS PROHIBITED.



P.O. Box 8565
Erie Pa 16505 USA
Phone: 814-838-6373
Fax: 814-835-1282
email -
info@air-convalves.com

PART NAME:

DIMENSIONS AND MATERIAL

SIZE	DWG. NO.	REV
A	IN1550	A
SCALE: 1:3	WEIGHT: 4.27 LB	SHEET 1 OF 1