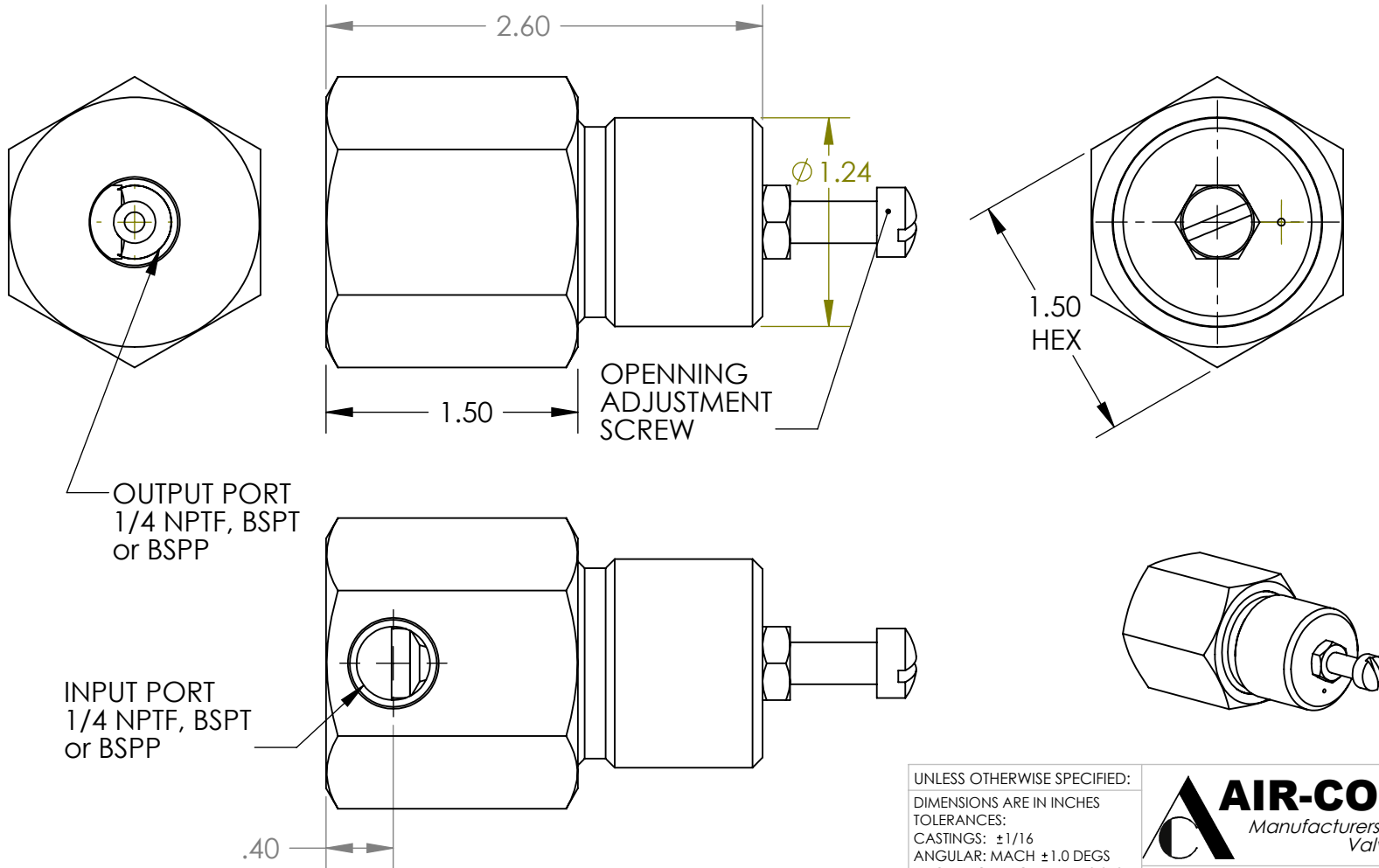


- MATERIAL**
 1) BODY AND CAP - ALUMINUM
 2) DIAPHRAGM - VITON
 3) SPRING - STEEL
 4) SEAT - STAINLESS STEEL



UNLESS OTHERWISE SPECIFIED:
 DIMENSIONS ARE IN INCHES
 TOLERANCES:
 CASTINGS: $\pm 1/16$
 ANGULAR: MACH ± 1.0 DEGS
 TWO PLACE DECIMAL: ± 0.010
 THREE PLACE DECIMAL: ± 0.005
 BREAK EDGE: 0.005-0.010

DWG PER ANSI STANDARD
 INTERPRET GEOMETRIC
 TOLERANCING PER: ANSI Y14.5M

MATERIAL
 AL 2011T3 OR EQ
 FINISH
 125
 DO NOT SCALE DRAWING



P.O. Box 8565
 Erie Pa 16505 USA
 Phone: 814-838-6373
 Fax: 814-835-1282
 email -
 info@air-convalves.com

PART NAME:
DIMENSIONS AND MATERIAL

	NAME	DATE
DRAWN	WRC	31 MAR 2011
APPROVED	WRC	31 MAR 2011

PROPRIETARY AND CONFIDENTIAL
 THE INFORMATION CONTAINED IN THIS DRAWING IS THE SOLE PROPERTY OF AIR-CON INC. ANY REPRODUCTION IN PART OR AS A WHOLE WITHOUT THE WRITTEN PERMISSION OF AIR-CON INC. IS PROHIBITED.

SIZE	DWG. NO.	REV
A	PR0934	A
SCALE: 1:1	WEIGHT: 0.30 LB	SHEET 1 OF 1