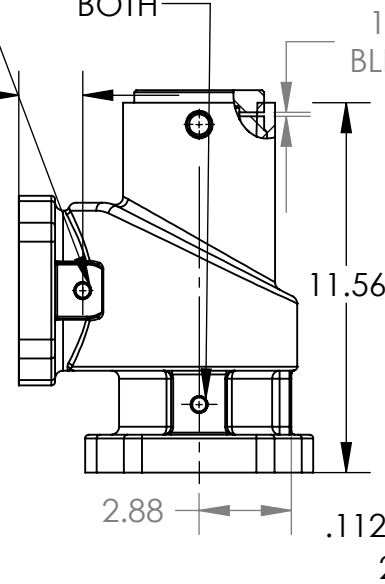
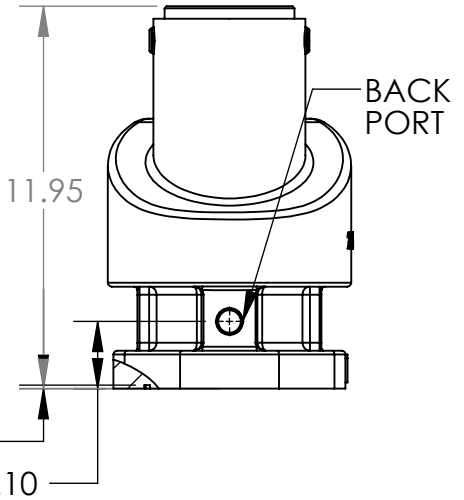


BODY PORTS
ONE SIDE or
BOTH

BODY PORTS
ONE SIDE or
BOTH



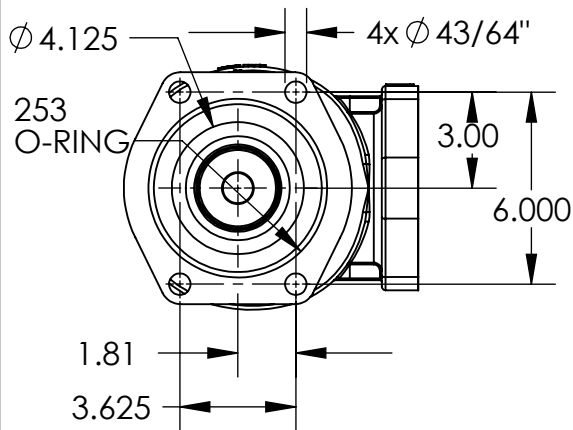
1/8" CAP
BLEED HOLE



BACK
PORT

- MATERIAL**
- 1) BODY - DUCTILE IRON
 - 2) CAP ALUMINUM 356T71
 - 3) PISTON - ALUMINUM
 - 4) POPPET - ALUMINUM AND BRASS
 - 5) POPPET SPRING - STAINLESS STEEL
 - 6) MAIN SPRING - STEEL

BODY PORT OPTIONS
ALL PORTS - 1/8, 1/4, 1/2,
3/4 NPT, BSPT, ORB



UNLESS OTHERWISE SPECIFIED:
DIMENSIONS ARE IN INCHES
TOLERANCES:
CASTINGS: $\pm 1/16$
ANGULAR: MACH ± 1.0 DEGS
TWO PLACE DECIMAL: ± 0.010
THREE PLACE DECIMAL: ± 0.005
BREAK EDGE: 0.005-0.010

DWG PER ANSI STANDARD
INTERPRET GEOMETRIC
TOLERANCING PER: ANSI Y14.5M

MATERIAL
DI
FINISH
125

DO NOT SCALE DRAWING

AIR-CON, INC
Manufacturers of Air Control
Valves

4835 WEST 23rd ST
Erie Pa 16505 USA
Phone: 814-838-6373
Fax: 814-835-1282
email -
info@air-convalves.com

PART NAME:
DIMENSION AND MATERIAL

SIZE
A

DWG. NO.
MP0400

REV
A

SCALE: 1:6

WEIGHT: 49.14 LB

SHEET 1 OF 1

	NAME	DATE
DRAWN	WRC	04 APR 2011
APPROVED	WRC	04 APR 2011

PROPRIETARY AND CONFIDENTIAL
THE INFORMATION CONTAINED IN THIS
DRAWING IS THE SOLE PROPERTY OF
AIR-CON INC. ANY REPRODUCTION IN
PART OR AS A WHOLE WITHOUT THE
WRITTEN PERMISSION OF AIR-CON INC.
IS PROHIBITED.