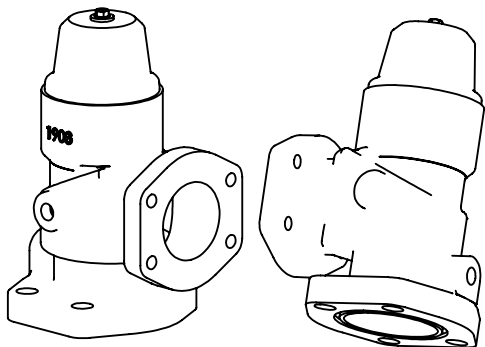


- MATERIAL**
- 1) BODY - ALUMINUM 356T6
 - 2) CAP - ALUMINUM
 - 3) PISTON -ALUMINUM
 - 4) POPPET - ALUMINUM AND BRASS
 - 5) POPPET SPRING - STAINLESS STEEL
 - 6) MAIN SPRING - STEEL

- PORT OPTIONS**
- 1) BODY SIDE PORTS - 1/8, 1/4 NPTF, BSPT or ORB
 - 2) BODY BACK PORT - 1/8, 1/4, 1/2 NPT, BSPT or 1/8, 1/4, 1/2, 3/4 ORB



UNLESS OTHERWISE SPECIFIED:

DIMENSIONS ARE IN INCHES
 TOLERANCES:
 CASTINGS: ±1/16
 ANGULAR: MACH ±1.0 DEGS
 TWO PLACE DECIMAL: ±0.010
 THREE PLACE DECIMAL: ±0.005
 BREAK EDGE: 0.005-0.010

DWG PER ANSI STANDARD
 INTERPRET GEOMETRIC
 TOLERANCING PER: ANSI Y14.5M

MATERIAL
356.0-T6
 FINISH
 125

DO NOT SCALE DRAWING



P.O. Box 8565
 Erie Pa 16505 USA
 Phone: 814-838-6373
 Fax: 814-835-1282
 email -
 info@air-convalves.com

PART NAME:

Dimensions and Material

SIZE
A

DWG. NO.
MP0250

REV
A

SCALE: 1:4

WEIGHT: 8.84 LB

SHEET 1 OF 1

	NAME	DATE
DRAWN	WRC	04 APR 2011
APPROVED	WRC	04 APR 2011

PROPRIETARY AND CONFIDENTIAL
 THE INFORMATION CONTAINED IN THIS DRAWING IS THE SOLE PROPERTY OF AIR-CON INC. ANY REPRODUCTION IN PART OR AS A WHOLE WITHOUT THE WRITTEN PERMISSION OF AIR-CON INC. IS PROHIBITED.