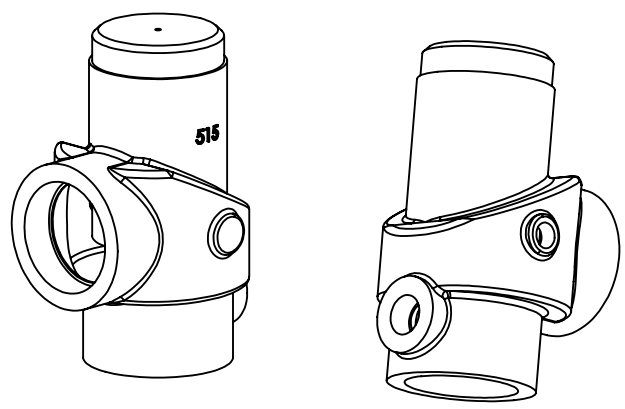


- MATERIAL**
- 1) BODY - DUCTILE IRON
 - 2) CAP - ALUMINUM
 - 3) PISTON - ALUMINUM
 - 4) POPPET - ALUMINUM AND BRASS
 - 5) POPPET SPRING - STAINLESS STEEL
 - 6) MAIN SPRING - STEEL

- THREAD OPTIONS**
- 1) INLET/OUTLET THREAD - 2 NPT, BSPP, BSPT, ORB
 - 2) BODY SIDE PORTS - 1/8, 1/4 NPT, BSPP BSPT or 1/8 ORB
 - 3) BODY BACK PORT - 1/8, 1/4, 1/2 NPTF, BSPP, BSPT or 1/8, 1/4, 1/2, 3/4 ORB



	NAME	DATE
DRAWN	WRC	16 MAR 2011
APPROVED	WRC	16 MAR 2011

PROPRIETARY AND CONFIDENTIAL
THE INFORMATION CONTAINED IN THIS DRAWING IS THE SOLE PROPERTY OF AIR-CON INC. ANY REPRODUCTION IN PART OR AS A WHOLE WITHOUT THE WRITTEN PERMISSION OF AIR-CON INC. IS PROHIBITED.

UNLESS OTHERWISE SPECIFIED:
DIMENSIONS ARE IN INCHES
TOLERANCES:
CASTINGS: $\pm 1/16$
ANGULAR: MACH ± 1.0 DEGS
TWO PLACE DECIMAL: ± 0.010
THREE PLACE DECIMAL: ± 0.005
BREAK EDGE: 0.005-0.010

DWG PER ANSI STANDARD
INTERPRET GEOMETRIC
TOLERANCING PER: ANSI Y14.5M

MATERIAL	Ductile Iron
FINISH	125
DO NOT SCALE DRAWING	

AIR-CON, INC
Manufacturers of Air Control Valves

4835 WEST 23rd ST
Erie Pa 16505 USA
Phone: 814-838-6373
Fax: 814-835-1282
email -
info@air-convalves.com

PART NAME:
Dimensions and Material

SIZE A	DWG. NO. MP0502	REV A
SCALE: 1:4	WEIGHT: 10.63 LB	SHEET 1 OF 1