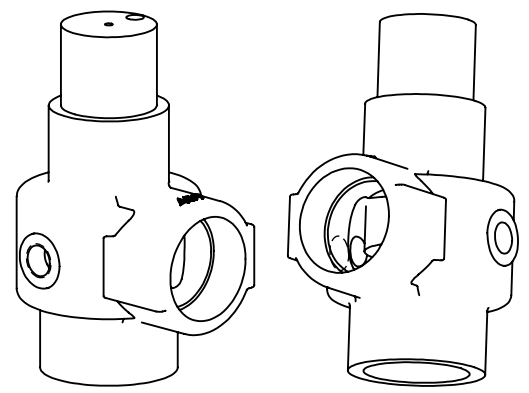


MATERIAL

- 1) BODY - DUCTILE IRON
- 2) CAP -ALUMINUM 6061T6
- 3) PISTON - ALUMINUM
- 4) POPPET - ALUMINUM AND BRASS
- 5) POPPET SPRING - STAINLESS STEEL
- 4) MAIN SPRING - STEEL

PORT OPTIONS

- 1) INLET/OUTLET THREADING - 1-1/4 NPT, BSPT or ORB
- 2) BODY PORTS - NONE, 1/8 or 1/4 NPTF or BSPT 1/8 ORB



UNLESS OTHERWISE SPECIFIED:
 DIMENSIONS ARE IN INCHES
 TOLERANCES:
 CASTINGS: $\pm 1/16$
 ANGULAR: MACH ± 1.0 DEGS
 TWO PLACE DECIMAL: ± 0.010
 THREE PLACE DECIMAL: ± 0.005
 BREAK EDGE: 0.005-0.010

DWG PER ANSI STANDARD
 INTERPRET GEOMETRIC
 TOLERANCING PER: ANSI Y14.5M
 MATERIAL
 Ductile Iron
 FINISH
 125
 DO NOT SCALE DRAWING



P.O. Box 8565
 Erie Pa 16505 USA
 Phone: 814-838-6373
 Fax: 814-835-1282
 email -
 info@air-convalves.com

PART NAME:
Dimension and Material

	NAME	DATE
DRAWN	WRC	28 FEB 2007
APPROVED	WRC	16 MAR 2007

PROPRIETARY AND CONFIDENTIAL
 THE INFORMATION CONTAINED IN THIS DRAWING IS THE SOLE PROPERTY OF AIR-CON INC. ANY REPRODUCTION IN PART OR AS A WHOLE WITHOUT THE WRITTEN PERMISSION OF AIR-CON INC. IS PROHIBITED.

SIZE	DWG. NO.	REV
A	MP0125	A
SCALE: 1:2	WEIGHT: 3.76 LB	SHEET 1 OF 1