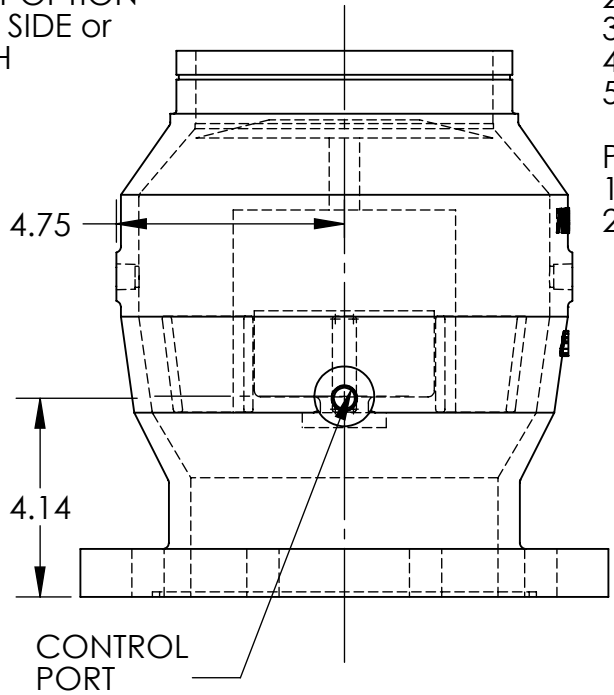


PORT OPTION
ONE SIDE or
BOTH



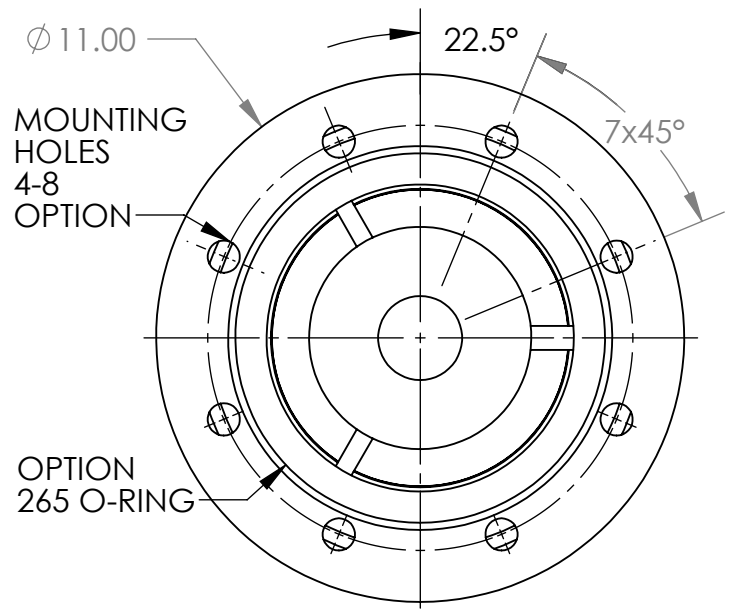
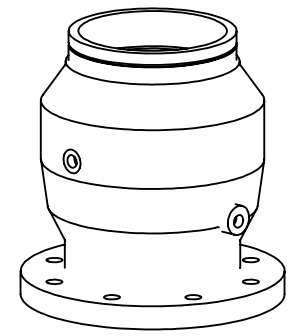
CONTROL
PORT

MATERIAL

- 1) BODY - ALUMINUM
- 2) POPPET - ALUMINUM
- 3) PISTON - ALUMINUM
- 4) POPPET SPRING - STAINLESS STEEL
- 5) MAIN SPRING - STEEL

PORT OPTIONS

- 1) CONTROL PORT - 1/4 NPTF, BSPT, ORB
- 2) BODY SIDE PORTS - 1/8, 1/4 NPTF, BSPT or ORB



UNLESS OTHERWISE SPECIFIED:
DIMENSIONS ARE IN INCHES
TOLERANCES:
CASTINGS: ±1/16
ANGULAR: MACH ±1.0 DEGS
TWO PLACE DECIMAL: ±0.010
THREE PLACE DECIMAL: ±0.005
BREAK EDGE: 0.005-0.010



P.O. Box 8565
Erie Pa 16505 USA
Phone: 814-838-6373
Fax: 814-835-1282
email -
info@air-convalves.com

	NAME	DATE
DRAWN	WRC	30 MAR 2011
APPROVED	WRC	30 MAR 2011

PROPRIETARY AND CONFIDENTIAL
THE INFORMATION CONTAINED IN THIS DRAWING IS THE SOLE PROPERTY OF AIR-CON INC. ANY REPRODUCTION IN PART OR AS A WHOLE WITHOUT THE WRITTEN PERMISSION OF AIR-CON INC. IS PROHIBITED.

DWG PER ANSI STANDARD INTERPRET GEOMETRIC TOLERANCING PER: ANSI Y14.5M
MATERIAL 356.0-T6
FINISH 125
DO NOT SCALE DRAWING

PART NAME:

DIMENSIONS AND MATERIAL

SIZE A	DWG. NO. IN0600	REV A
SCALE: 1:4	WEIGHT: 22.47 LB	SHEET 1 OF 1