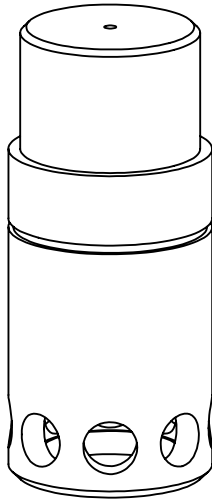
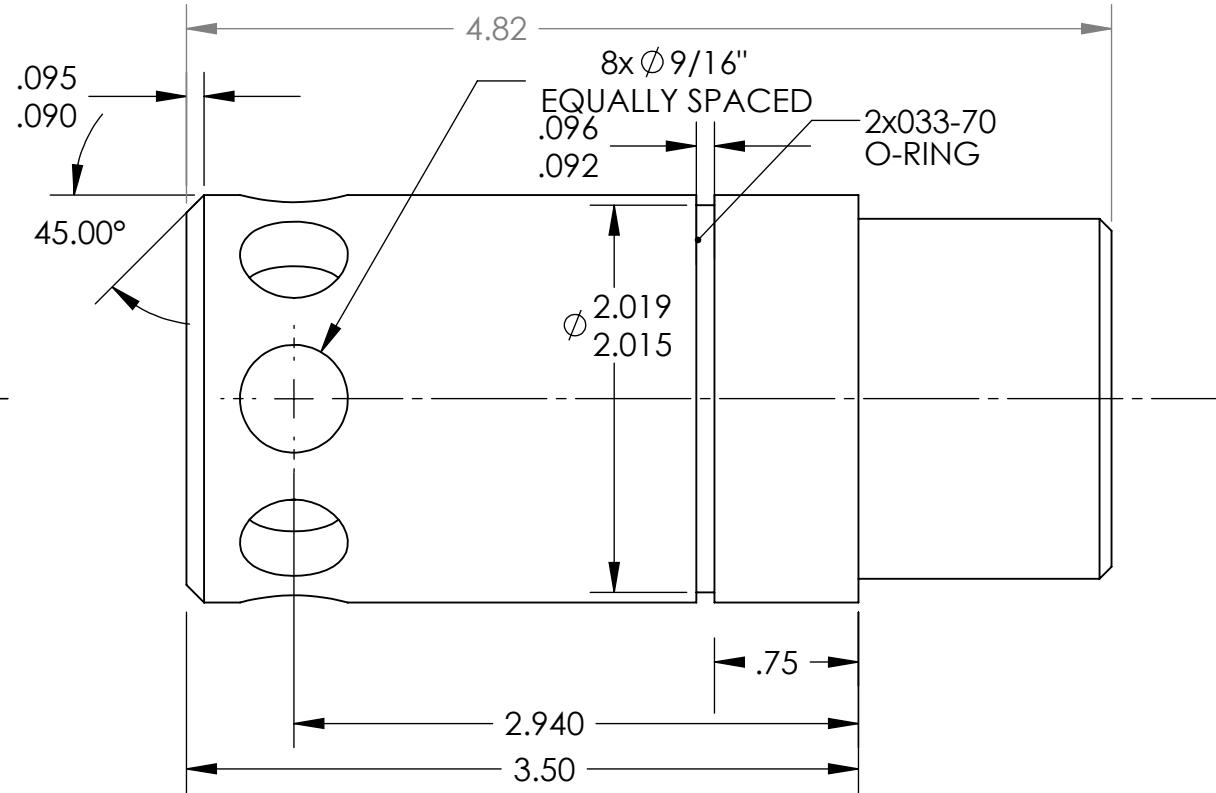
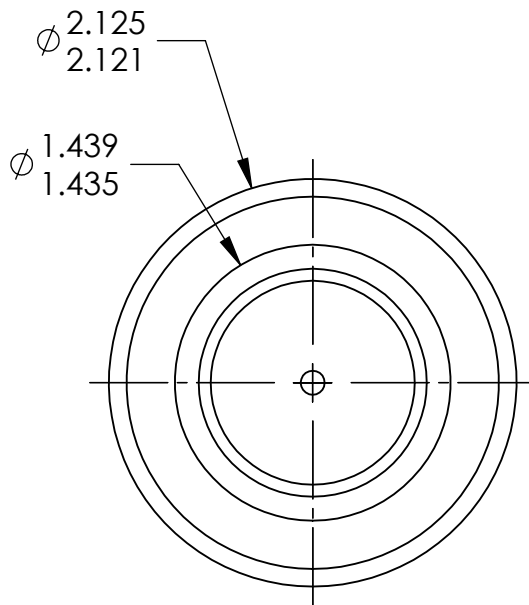


ZONE	REV.	DESCRIPTION	DATE	REVISED BY
	A	ECN11026, NEW RELEASE	29 MAR 2011	WRC



- MATERIAL**
- 1) BODY AND CAP - ALUMINUM 6061T6
  - 2) PISTON - ALUMINUM
  - 3) POPPET - ALUMINUM
  - 4) POPPET SPRING - STAINLESS STEEL
  - 5) MAIN SPRING - STEEL

UNLESS OTHERWISE SPECIFIED:  
 DIMENSIONS ARE IN INCHES  
 TOLERANCES:  
 CASTINGS: ±1/16  
 ANGULAR: MACH ±1.0 DEGS  
 TWO PLACE DECIMAL: ±0.010  
 THREE PLACE DECIMAL: ±0.005  
 BREAK EDGE: 0.005-0.010



P.O. Box 8565  
 Erie Pa 16505 USA  
 Phone: 814-838-6373  
 Fax: 814-835-1282  
 email -  
 info@air-convalves.com

	NAME	DATE
DRAWN	WRC	29 MAR 2011
APPROVED	WRC	29 MAR 2011

**PROPRIETARY AND CONFIDENTIAL**  
 THE INFORMATION CONTAINED IN THIS DRAWING IS THE SOLE PROPERTY OF AIR-CON INC. ANY REPRODUCTION IN PART OR AS A WHOLE WITHOUT THE WRITTEN PERMISSION OF AIR-CON INC. IS PROHIBITED.

DWG PER ANSI STANDARD  
 INTERPRET GEOMETRIC  
 TOLERANCING PER: ANSI Y14.5M  
 MATERIAL  
 6061-T6 (SS)  
 FINISH  
 125  
 DO NOT SCALE DRAWING

PART NAME:  
**DIMENSIONS AND MATERIAL**

SIZE <b>A</b>	DWG. NO. <b>CT0150</b>	REV <b>A</b>
SCALE: 1:1	WEIGHT: 0.91 LB	SHEET 1 OF 1