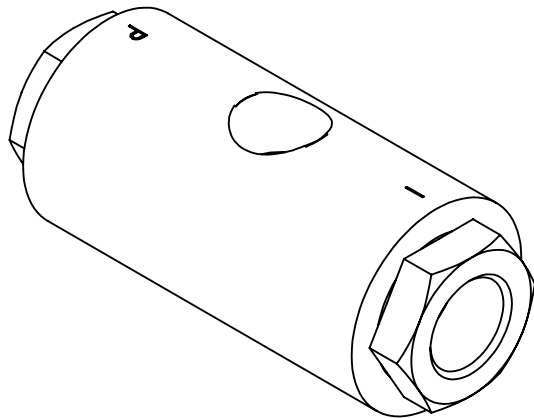


**MATERIAL**

- 1) BODY - ALUMINUM
- 2) POPPET - ALUMINUM
- 3) PISTON - ALUMINUM
- 4) BUSHINGS - BRASS



UNLESS OTHERWISE SPECIFIED:  
 DIMENSIONS ARE IN INCHES  
 TOLERANCES:  
 CASTINGS:  $\pm 1/16$   
 ANGULAR: MACH  $\pm 1.0$  DEGS  
 TWO PLACE DECIMAL:  $\pm 0.010$   
 THREE PLACE DECIMAL:  $\pm 0.005$   
 BREAK EDGE: 0.005-0.010

DWG PER ANSI STANDARD  
 INTERPRET GEOMETRIC  
 TOLERANCING PER: ANSI Y14.5M

MATERIAL  
**ASSEMBLY**  
 FINISH 125  
 DO NOT SCALE DRAWING



P.O. Box 8565  
 Erie Pa 16505 USA  
 Phone: 814-838-6373  
 Fax: 814-835-1282  
 email -  
 info@air-convalves.com

PART NAME:

**DIMENSION AND MATERIAL**

SIZE <b>A</b>	DWG. NO. <b>BD0025</b>	REV <b>A</b>
SCALE: 1:1	WEIGHT: 0.41 Lbf	SHEET 1 OF 1

	NAME	DATE
DRAWN	WRC	04 APR 2011
APPROVED	WRC	04 APR 2011

**PROPRIETARY AND CONFIDENTIAL**  
 THE INFORMATION CONTAINED IN THIS DRAWING IS THE SOLE PROPERTY OF AIR-CON INC. ANY REPRODUCTION IN PART OR AS A WHOLE WITHOUT THE WRITTEN PERMISSION OF AIR-CON INC. IS PROHIBITED.