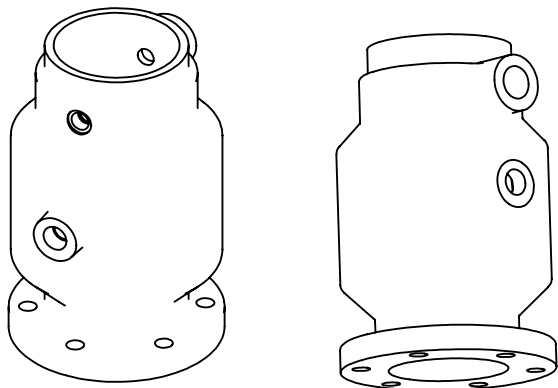
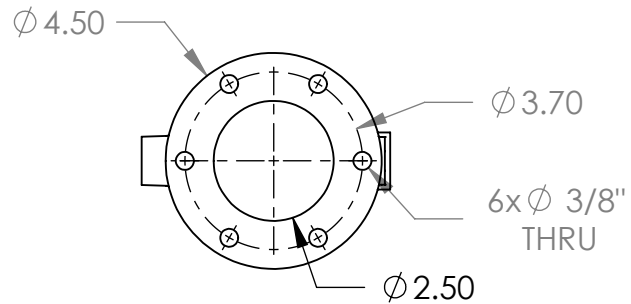
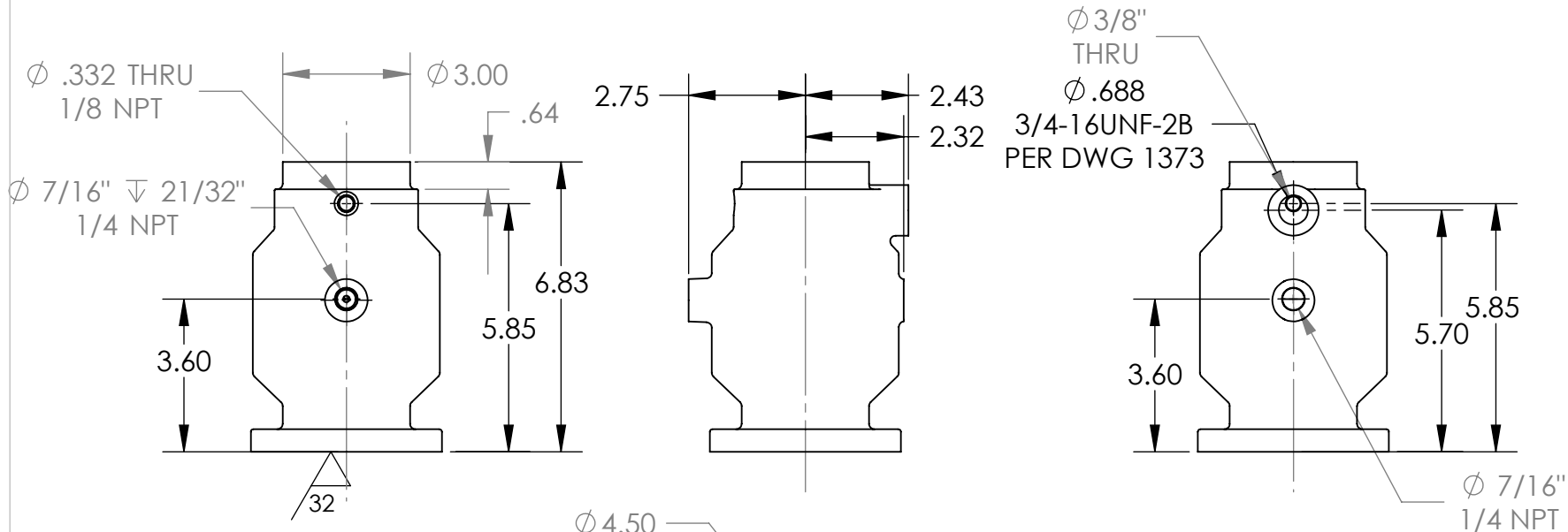


ZONE	REV.	DESCRIPTION	DATE	REVISED BY
	A	ECN07105, NEW RELEASE	17 Sep 2007	WRC



UNLESS OTHERWISE SPECIFIED:

DIMENSIONS ARE IN INCHES
 TOLERANCES:
 CASTINGS: $\pm 1/16$
 ANGULAR: MACH ± 1.0 DEGS
 TWO PLACE DECIMAL: ± 0.010
 THREE PLACE DECIMAL: ± 0.005
 BREAK EDGE: 0.005-0.010

DWG PER ANSI STANDARD
 INTERPRET GEOMETRIC
 TOLERANCING PER: ANSI Y14.5M

MATERIAL
 356.0-T6

FINISH
 125

DO NOT SCALE DRAWING



P.O. Box 8565
 Erie Pa 16505 USA
 Phone: 814-838-6373
 Fax: 814-835-1282
 email -
 info@air-convalves.com

PART NAME:

IN1391-02, DIMENSIONS

SIZE

A

DWG. NO.

DD-2523-IN

REV

A

SCALE: 1:4

WEIGHT: 4.55 LB

SHEET 1 OF 1

	NAME	DATE
DRAWN	WRC	17 SEP 2007
APPROVED	WRC	17 SEP 2007

PROPRIETARY AND CONFIDENTIAL

THE INFORMATION CONTAINED IN THIS DRAWING IS THE SOLE PROPERTY OF AIR-CON INC. ANY REPRODUCTION IN PART OR AS A WHOLE WITHOUT THE WRITTEN PERMISSION OF AIR-CON INC. IS PROHIBITED.