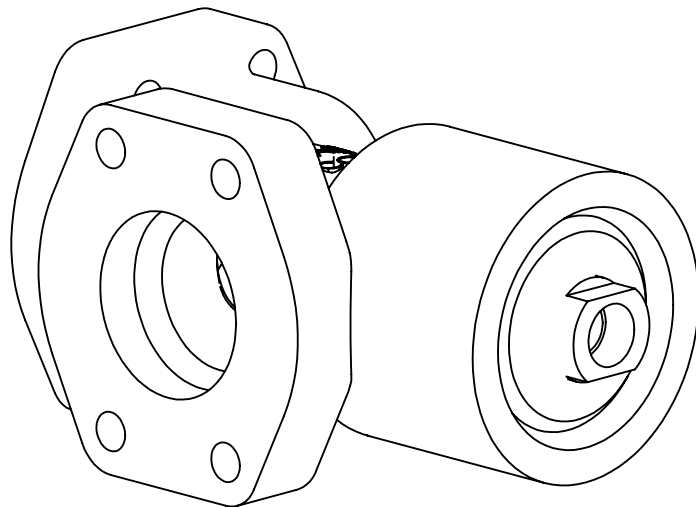


MATERIAL

- 1) BODY - DUCTILE IRON
- 2) CAP - ALUMINUM
- 3) PISTON - ALUMINUM
- 4) POPPET - ALUMINUM
- 5) SPRING - STEEL



UNLESS OTHERWISE SPECIFIED:

DIMENSIONS ARE IN INCHES
TOLERANCES:
CASTINGS: $\pm 1/16$
ANGULAR: MACH ± 1.0 DEGS
TWO PLACE DECIMAL: ± 0.010
THREE PLACE DECIMAL: ± 0.005
BREAK EDGE: 0.005-0.010

DWG PER ANSI STANDARD
INTERPRET GEOMETRIC
TOLERANCING PER: ANSI Y14.5M

MATERIAL
DI
FINISH
125

DO NOT SCALE DRAWING



P.O. Box 8565
Erie Pa 16505 USA
Phone: 814-838-6373
Fax: 814-835-1282
email -
info@air-convalves.com

PART NAME:
DIMENSION AND MATERIAL

	NAME	DATE
DRAWN	WRC	05 APR 2011
APPROVED	WRC	05 APR 2011

PROPRIETARY AND CONFIDENTIAL
THE INFORMATION CONTAINED IN THIS DRAWING IS THE SOLE PROPERTY OF AIR-CON INC. ANY REPRODUCTION IN PART OR AS A WHOLE WITHOUT THE WRITTEN PERMISSION OF AIR-CON INC. IS PROHIBITED.

SIZE	DWG. NO.	REV
A	OS1751	A
SCALE: 1:2	WEIGHT: 9.44 LB	SHEET 1 OF 1