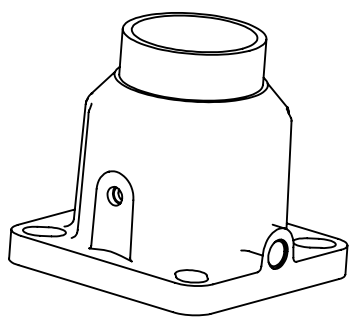


- MATERIAL**
- 1) BODY - DUCTILE IRON
  - 2) PISTON - ALUMINUM
  - 3) POPPET - ALUMINUM
  - 4) POPPET SPRING - STAINLESS STEEL
  - 5) MAIN SPRING - STEEL

- PORT OPTION**
- 1) CONTROL PORT - 1/4 NPTF, BSPT
  - 2) BODY SIDE PORTS - 1/8, 1/4 NPTF, BSPT



UNLESS OTHERWISE SPECIFIED:  
 DIMENSIONS ARE IN INCHES  
 TOLERANCES:  
 CASTINGS: ±1/16  
 ANGULAR: MACH ±1.0 DEGS  
 TWO PLACE DECIMAL: ±0.010  
 THREE PLACE DECIMAL: ±0.005  
 BREAK EDGE: 0.005-0.010



P.O. Box 8565  
 Erie Pa 16505 USA  
 Phone: 814-838-6373  
 Fax: 814-835-1282  
 email -  
 info@air-convalves.com

	NAME	DATE
DRAWN	WRC	30 MAR 2011
APPROVED	WRC	30 MAR 2011

**PROPRIETARY AND CONFIDENTIAL**  
 THE INFORMATION CONTAINED IN THIS DRAWING IS THE SOLE PROPERTY OF AIR-CON INC. ANY REPRODUCTION IN PART OR AS A WHOLE WITHOUT THE WRITTEN PERMISSION OF AIR-CON INC. IS PROHIBITED.

MATERIAL	DI
FINISH	125
DO NOT SCALE DRAWING	

PART NAME:  
**DIMENSIONS AND MATERIAL**

SIZE	DWG. NO.	REV
<b>A</b>	<b>IN0893</b>	<b>A</b>
SCALE: 1:3	WEIGHT: 7.61 LB	SHEET 1 OF 1