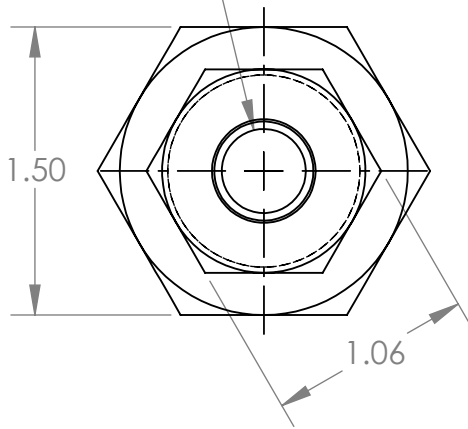
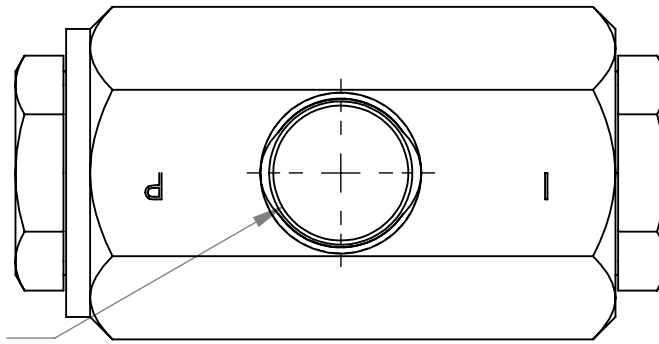


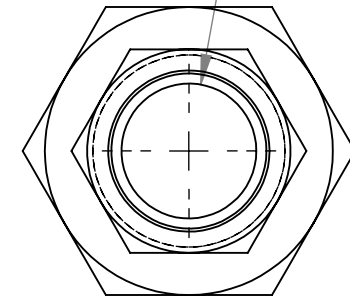
Ø 7/16"
1/4 NPTF
PILOT



Ø 11/16"
1/2 NPT
OUTLET

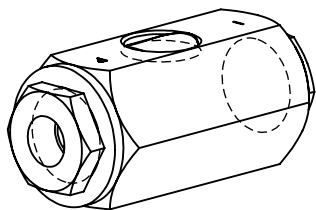


Ø 11/16"
1/2 NPTF
INLET



MATERIAL

- 1) BODY - ALUMINUM
- 2) PISTON - ALUMINUM
- 3) POPPET - ALUMINUM
- 4) BUSHINGS - BRASS



UNLESS OTHERWISE SPECIFIED:

DIMENSIONS ARE IN INCHES
TOLERANCES:
CASTINGS: ±1/16
ANGULAR: MACH ±1.0 DEGS
TWO PLACE DECIMAL: ±0.010
THREE PLACE DECIMAL: ±0.005
BREAK EDGE: 0.005-0.010

DWG PER ANSI STANDARD
INTERPRET GEOMETRIC
TOLERANCING PER: ANSI Y14.5M

MATERIAL
ASSEMBLY
FINISH 125

DO NOT SCALE DRAWING



P.O. Box 8565
Erie Pa 16505 USA
Phone: 814-838-6373
Fax: 814-835-1282
email -
info@air-convalves.com

PART NAME:

DIMENSION AND MATERIAL

	NAME	DATE
DRAWN	WRC	04 APR 2011
APPROVED	WRC	04 APR 2011

PROPRIETARY AND CONFIDENTIAL
THE INFORMATION CONTAINED IN THIS DRAWING IS THE SOLE PROPERTY OF AIR-CON INC. ANY REPRODUCTION IN PART OR AS A WHOLE WITHOUT THE WRITTEN PERMISSION OF AIR-CON INC. IS PROHIBITED.

SIZE	DWG. NO.	REV
A	BD1620	A
SCALE: 1:1	WEIGHT: 0.52 LB	SHEET 1 OF 1