

BODY PORTS
ONE SIDE or
BOTH

OUTLET
THREADING

INLET
THREADING

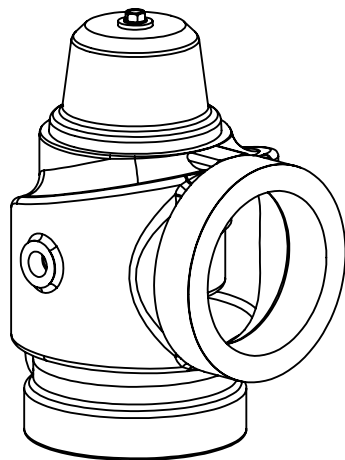
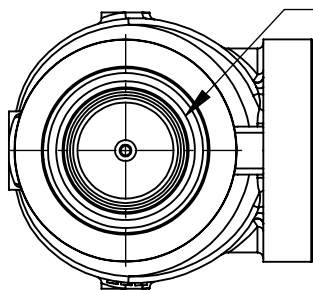
BODY PORT
BACK

MATERIAL

- 1) BODY - DUCTILE IRON
- 2) CAP - ALUMINUM
- 3) PISTON - ALUMINUM
- 4) POPPET - ALUMINUM AND BRASS
- 5) POPPET SPRING - STAINLESS STEEL
- 6) MAIN SPRING - STEEL

THREAD OPTIONS

- 1) INLET/OUTLET THREAD - 3 NPT, BSPP or BSPT
- 2) BODY SIDE PORTS - 1/8, 1/4 NPTF, BSPP, BSPT or ORB
- 3) BODY BACK PORT - 1/8, 1/4, 1/2, 3/4 NPTF BSPP, BSPT or ORB



UNLESS OTHERWISE SPECIFIED:

DIMENSIONS ARE IN INCHES
TOLERANCES:
CASTINGS: ±1/16
ANGULAR: MACH ±1.0 DEGS
TWO PLACE DECIMAL: ±0.010
THREE PLACE DECIMAL: ±0.005
BREAK EDGE: 0.005-0.010

DWG PER ANSI STANDARD
INTERPRET GEOMETRIC
TOLERANCING PER: ANSI Y14.5M

MATERIAL
DI
FINISH
125

DO NOT SCALE DRAWING

	NAME	DATE
DRAWN	WRC	31 MAR 2011
APPROVED	WRC	31 MAR 2011

PROPRIETARY AND CONFIDENTIAL
THE INFORMATION CONTAINED IN THIS DRAWING IS THE SOLE PROPERTY OF AIR-CON INC. ANY REPRODUCTION IN PART OR AS A WHOLE WITHOUT THE WRITTEN PERMISSION OF AIR-CON INC. IS PROHIBITED.



4835 WEST 23rd ST
Erie Pa 16505 USA
Phone: 814-838-6373
Fax: 814-835-1282
email -
info@air-convalves.com

PART NAME:

Dimensions and Material

SIZE	DWG. NO.	REV
A	MP0503	A
SCALE: 1:4	WEIGHT: 19.67 LB	SHEET 1 OF 1