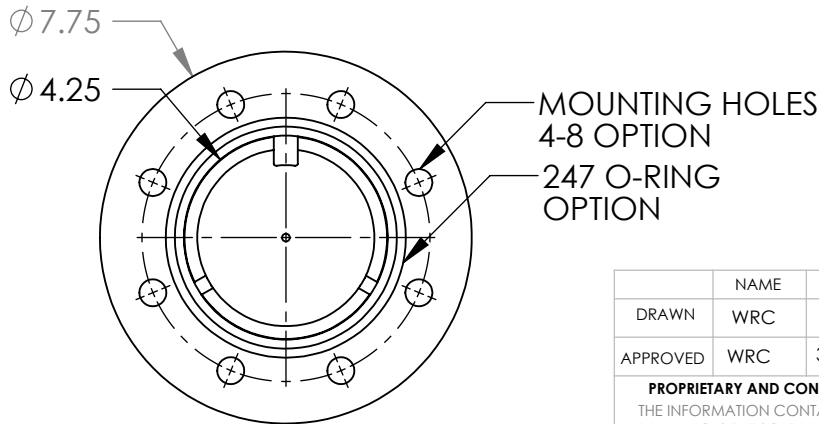
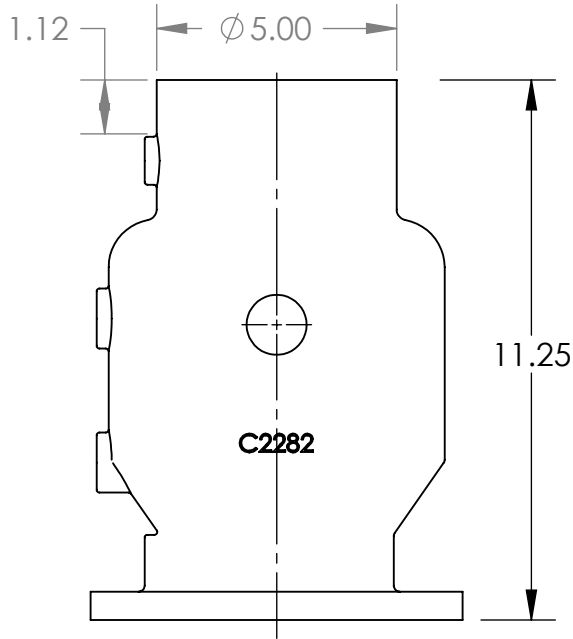
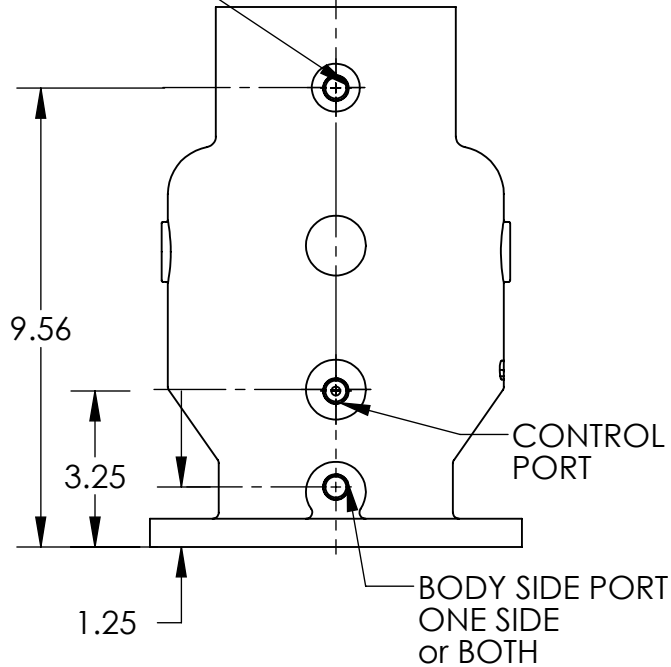


BODY PORT SIDE
ONE SIDE
or BOTH

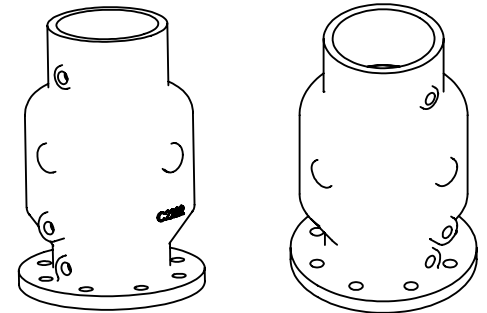


MATERIAL

- 1) BODY - DUCTILE IRON
- 2) PISTON - ALUMINUM
- 3) POPPET - ALUMINUM
- 4) POPPET SPRING - STAINLESS STEEL
- 5) MAIN SPRING - STEEL

PORT OPTIONS

- 1) CONTROL PORT - 1/4 1/4 NPTF, BSPT or ORB
- 2) BODY SIDE PORTS - 1/8, 1/4 NPTF, BSPT or ORB



UNLESS OTHERWISE SPECIFIED:

DIMENSIONS ARE IN INCHES
TOLERANCES:
CASTINGS: ±1/16
ANGULAR: MACH ±1.0 DEGS
TWO PLACE DECIMAL: ±0.010
THREE PLACE DECIMAL: ±0.005
BREAK EDGE: 0.005-0.010

DWG PER ANSI STANDARD
INTERPRET GEOMETRIC
TOLERANCING PER: ANSI Y14.5M

MATERIAL
DI

FINISH
125

DO NOT SCALE DRAWING



P.O. Box 8565
Erie Pa 16505 USA
Phone: 814-838-6373
Fax: 814-835-1282
email -
info@air-convalves.com

PART NAME:

DIMENSIONS AND MATERIAL

| | | |
|------------------|------------------------------|-----------------|
| SIZE A | DWG. NO. IN0400_DI | REV A |
| SCALE: 1:4 | WEIGHT: 27.68 Lbf | SHEET 1 OF 1 |

| | NAME | DATE |
|----------|------|-------------|
| DRAWN | WRC | 30 MAR 2011 |
| APPROVED | WRC | 30 MAR 2011 |

PROPRIETARY AND CONFIDENTIAL
THE INFORMATION CONTAINED IN THIS DRAWING IS THE SOLE PROPERTY OF AIR-CON INC. ANY REPRODUCTION IN PART OR AS A WHOLE WITHOUT THE WRITTEN PERMISSION OF AIR-CON INC. IS PROHIBITED.